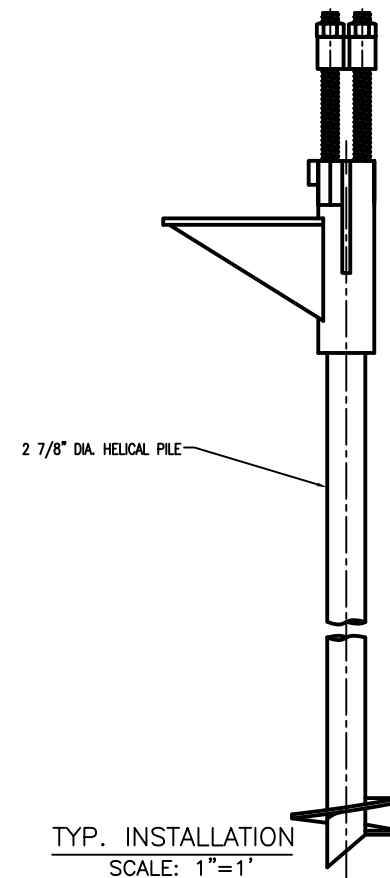
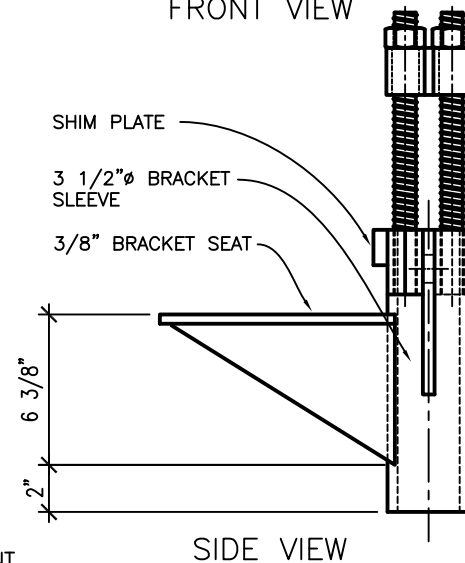
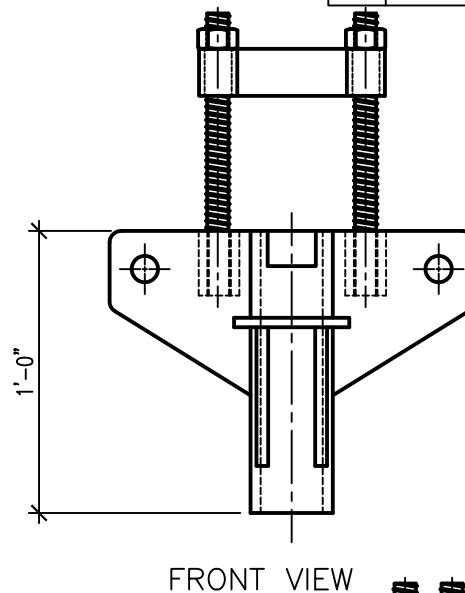
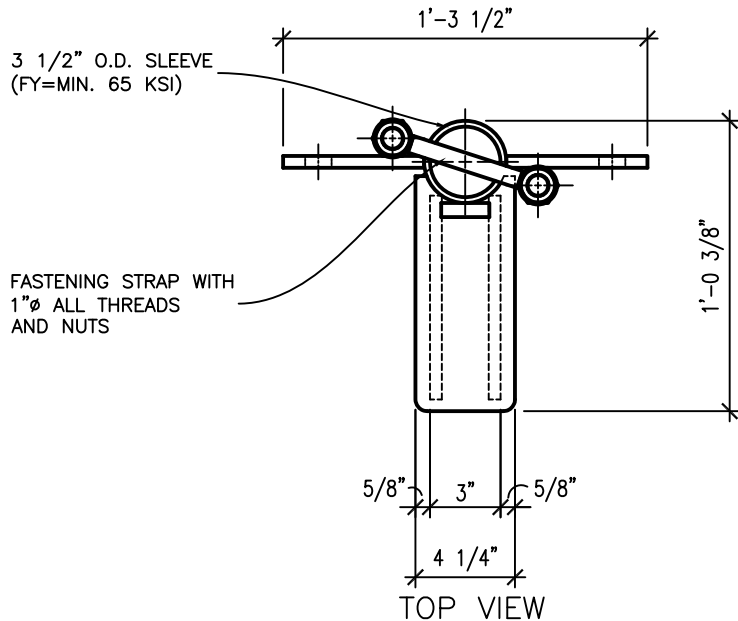


NOTES: UNLESS OTHERWISE SPECIFIED

Rev No	Revision note	Date	Signature	Checked



NOTES:

1. POLYETHYLENE COPOLYMER THERMOPLASTIC COATING PER ICC-ES AC 228
3. MANUFACTURER TO HAVE IN EFFECT INDUSTRY RECOGNIZED WRITTEN QUALITY CONTROL FOR ALL MATERIALS AND MANUFACTURING PROCESSES.
4. ALL WELDING IS TO BE DONE BY WELDERS CERTIFIED UNDER SECTION 5 OF THE AWS CODE D1.1.
5. THE CAPACITY OF THE UNDERPINNING SYSTEM IS A FUNCTION OF MANY INDIVIDUAL ELEMENTS, INCLUDING THE CAPACITY OF THE FOUNDATION, BRACKET, PIER SHAFT, HELICAL PLATE, AND BEARING STRATA, AS WELL AS THE STRENGTH OF THE FOUNDATION BRACKET CONNECTION AND THE QUALITY OF THE INSTALLATION OF THE PILE. YOUR ACHIEVABLE CAPACITY COULD BE HIGHER OR LOWER THAN THOSE LISTED DEPENDING ON THE ABOVE FACTORS.
6. RAM JACK ENGINEERING HANDBOOK FOR ALLOWABLE VALUES AND/OR CONDITIONS OF USE CONCERNING MATERIAL PRESENTED IN THIS DOCUMENT.

THIS DRAWING AND ITS CONTENTS ARE CONFIDENTIAL AND THE EXCLUSIVE PROPERTY OF RAM JACK SYSTEMS DISTRIBUTION, LLC. NO PUBLICATION, DISTRIBUTION OR COPIES MAY BE MADE WITHOUT THE EXPRESSED WRITTEN CONSENT OF RAM JACK SYSTEMS DISTRIBUTION, LLC. ALL RIGHTS RESERVED UNDER COPYRIGHT LAWS.



UNLESS OTHERWISE SPECIFIED  
 \* DIMENSIONS ARE IN INCHES  
 \* TOLERANCES: ANGLE ±1°  
 3 PLACE DECIMALS ± .010  
 2 PLACE DECIMALS ± .02  
 \* REMOVE ALL BURRS AND SHARP EDGES  
 \* PARENTHETICAL INFO FOR REF ONLY

HOLE TOLERANCES					
.013	.126	.251	THRU +.004	THRU +.006	
THRU -.001	THRU -.001	THRU -.001			
.125	.250	.500			
.501	.751	1.001	THRU +.008	THRU +.012	
THRU -.001	THRU -.001	THRU -.001			
.750	1.000	2.000			

FILE NAME	4038 PILE BKT.	FSCM NO	
SIZE	A-SIZE TITLEBLOCK		
DRAWN	10-2-08		
CHECK	DARIN WILLIS		
APPR.	DARIN WILLIS		
ISSUED			
REV			
CONTRACT NO			

SHEET	1 OF 1	SCALE	1 1/2" = 1'
CHARLES MARVIN			
4037 HELICAL PILE BRACKET			
DWG NO	4037-01		