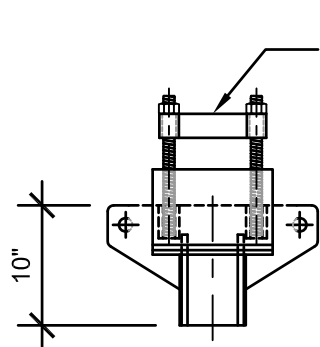
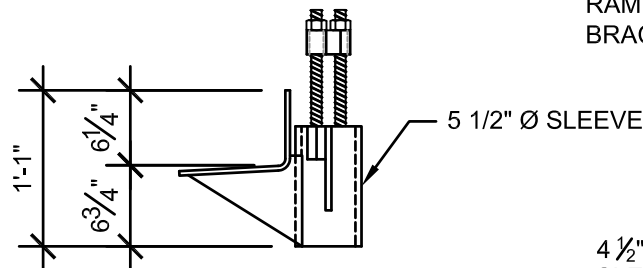


# 4021.55 BRACKET - 3 1/2"Ø DRIVEN PILE

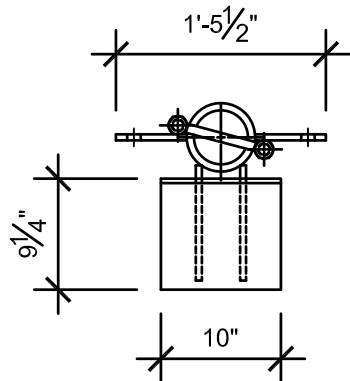


FASTENING STRAP WITH  
1 1/4" DIA. ALL THREADS  
AND NUTS

FRONT VIEW



SIDE VIEW



TOP VIEW

LOAD CHART	
ULTIMATE PILE ASSEMBLY CAPACITY	110,000 LBS
ALLOWABLE PILE ASSEMBLY CAPACITY (S.F. = 2)	55,000 LBS
BEARING AREA	90 IN <sup>2</sup>

NOTES:

1. POLYETHYLENE COPOLYMER THERMOPLASTIC COATING PER ICC-ES AC228.
2. MANUFACTURER TO HAVE IN EFFECT INDUSTRY RECOGNIZED WRITTEN QUALITY CONTROL FOR ALL MATERIALS AND MANUFACTURING PROCESSES.
3. ALL WELDING IS TO BE DONE BY WELDERS CERTIFIED UNDER SECTION 5 OF THE AWS CODE D1.1.
4. THE CAPACITY OF THE UNDERPINNING SYSTEM IS A FUNCTION OF MANY INDIVIDUAL ELEMENTS, INCLUDING THE CAPACITY OF THE FOUNDATION, BRACKET, PIER SHAFT, HELICAL PLATE, AND BEARING STRATA, AS WELL AS THE STRENGTH OF THE FOUNDATION BRACKET CONNECTION AND THE QUALITY OF THE INSTALLATION OF THE PILE. YOUR ACHIEVABLE CAPACITIES COULD BE HIGHER OR LOWER THAN THOSE LISTED DEPENDING ON THE ABOVE FACTORS.

RAM JACK 4021.55  
BRACKET

PL 2 1/4" x 2 1/4"  
FASTENING STRAP  
WITH 1 1/4" Ø ALL  
THREADS AND NUTS

4 1/2" O.D. x 5'-0" GUIDE  
SLEEVE w/ 0.438"  
WALL THICKNESS  
(Fy = MIN. 65 KSI)

3 1/2" Ø PILE w/ 0.254"  
WALL THICKNESS  
(Fy = MIN. 65 KSI)

3 1/2"Ø STARTER  
SECTION WITH SOIL  
EXPANSION RING

TYP. INSTALLATION  
SCALE: 3/4" = 1'-0"

THIS DRAWING AND ITS CONTENTS ARE CONFIDENTIAL AND THE EXCLUSIVE PROPERTY OF RAM JACK SYSTEMS DISTRIBUTION, LLC. NO PUBLICATION, DISTRIBUTION OR COPIES MAY BE MADE WITHOUT THE EXPRESSED WRITTEN CONSENT OF RAM JACK SYSTEMS DISTRIBUTION, LLC. ALL RIGHTS RESERVED UNDER COPYRIGHT LAWS.



4021.55 BRACKET	CATALOG NO. : SEE TABLES	REV. 1
SCALE 3/4" = 1'-0"	DRAWN BY DLW	DATE: 08/11/09 SHEET 1 OF 1